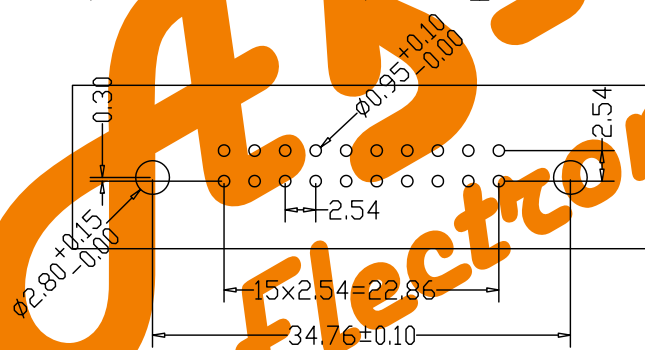
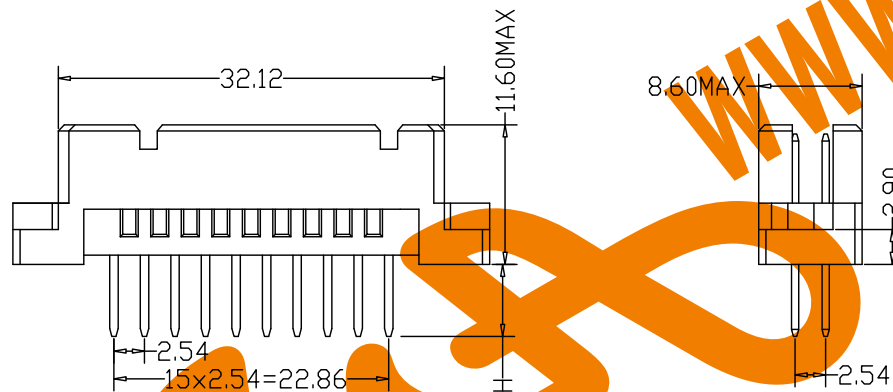
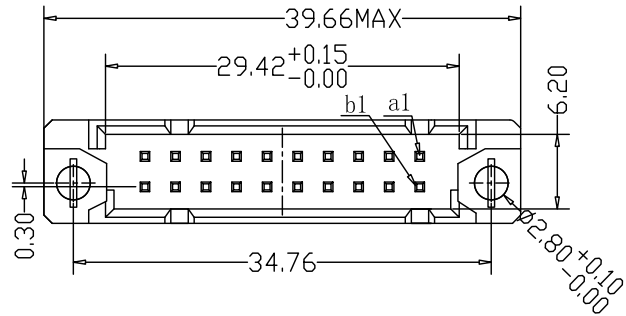


# DIN 41612 Vertical Plug Type 1/3Q Connectors-Inversed 20 Positions

**ROHS COMPLIANT**



**Recommended P.C.B. Layout**

### SPECIFICATION

Current Rating:	2.0Amp
Insulation Resistance:	100000MΩ min.at DC 100V
Contact Resistance:	20MΩ max
Withstand Voltage:	AC 1000V For 1 Minute
Operating Temperature:	-55° C to +105° C
Contact Material:	Brass
Contact Plating:	Au or Sn Over Ni
Insulator Material:	PBT+30%GF UL 94V-0
Insertion Force:	20 pin max. 18N
Withdrawal Force:	0.15N min.per individual contact

### Ordering Code:

DMS - XX - X - X - X -217

- ① ② ③ ④ ⑤

- |   |   |
|---|---|
| ① Series No:  | ⑤ Contact Plating   |
| ② No. of Contacts<br>20P 10p  | G0: Gold flash<br>S0: Gold flash/Ni<br>G1: 3u" Gold<br>S1: 3u" Gold/Ni<br>G2: 5u" Gold<br>S2: 5u" Gold/Ni<br>G3: 10u" Gold<br>S3: 10u" Gold/Ni<br>G4: 15u" Gold<br>S4: 15u" Gold/Ni<br>G5: 30u" Gold<br>S5: 30u" Gold/Ni<br>SN: Tin |
| ③ Termination<br>A: Straight solder tail length H=2.5mm<br>E: Straight solder tail length H=4.0mm<br>I: Straight tail length H=5.0mm<br>K: Straight tail length H=7.4mm<br>M: Wrap post tail length H=13.0mm<br>N: Wrap post tail length H=17.0mm |   |
| ④ Rows Loaded With Contacts<br>A: Row a<br>C: Row a+b<br>C1: Row a+b (2, 4, 6...)   |   |

tail length	thickness * width
H=2.5mm	0.6*0.6
H=4.0mm	0.6*0.6
H=5.0mm	0.6*0.6
H=7.4mm	0.6*0.6
H=13.0mm	0.6*0.6
H=17.0mm	0.6*0.6

Unless Otherwise specified tolerance

X:±0.35  
X.X:±0.25  
X.XX:±0.20  
X.XXX:±0.15

SCALE: As Shown

UNIT: mm



**AsA Electronic Co.**

Tel : (+98) 21 66 73 56 82 Mob : (+98) 912 03 161 02

DRAWN: jnufon  
CHECKED: Yan

TITLE:  
Vertical Plug Type 1/3Q Connectors-Inversed 20 Positions

APPROVED

DRAWING NO: DMS-XX-XXX-217

DATE

PRODUCT NO: DMS-XX-XXX-217

Add option of plating

10/8/1

DESCRIPTION

DATE

REV